

# Pressure Switches (Bellows Actuator)

SZ□□□B (SPDT) / SZ□□□BW (DPDT)



## Features

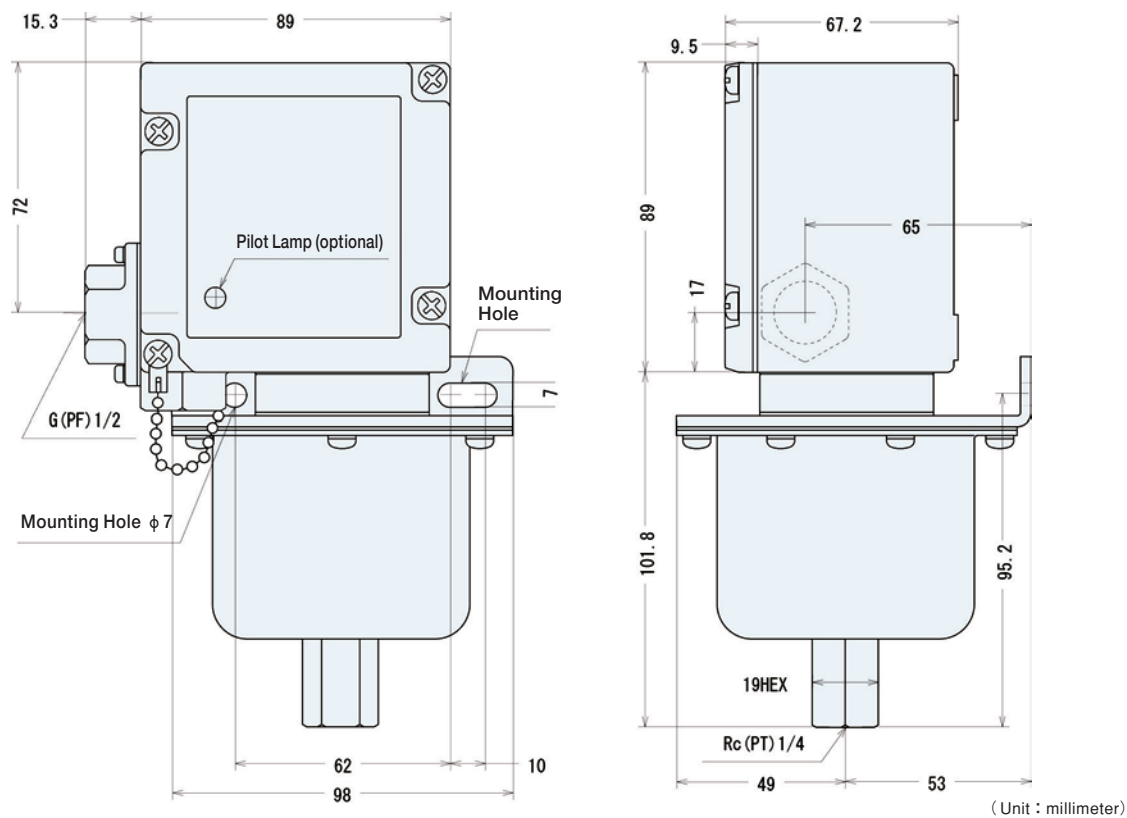
- A high quality phosphor bronze bellows is adopted as a pressure sensing element. It can be used for pressure medium such as air, oil and gases.
- When it is used for medium of causticity, water and steam, we recommend use SUS316L bellows actuator.
- The bellows actuated pressure switches are applicable to pressures from 0.003 to 11.5MPa ranges.
- The micro switch is selectable from a SPDT standard rating type, a micro-load type (for 24V DC), and a sealed type (environment resistance). In addition, a DPDT contact micro switch is also available. \* Refer to page 56 for details.
- CCC, UL and CSA approved  
(Please note that UL or CSA approved switches are not available for the devices equipped with a SPDT micro-load contact, a sealed contact and a DPDT contact. CCC certified switches is not available for the with pilot lamps.)

Type of Micro Switches	Models	Range MIN. : Minimum setting point of falling pressure. MAX. : Maximum setting point of rising pressure. MPa (kgf/cm <sup>2</sup> ) MIN. - MAX.	Differential (Dead Band) Add to the Range Value MPa (kgf/cm <sup>2</sup> ) MIN. - MAX.	Rated Pressure Maximum Pressure in Continuous Use MPa (kgf/cm <sup>2</sup> )	Proof Pressure MPa (kgf/cm <sup>2</sup> )
SPDT	SZ001B	0.003-0.1 (0.03-1)	0.003-0.02 (0.03-0.2)	0.1 (1)	0.15 (1.5)
	SZ002B	0.005-0.2 (0.05-2)	0.005-0.04 (0.05-0.4)	0.2 (2)	0.3 (3)
	SZ006B	0.005-0.6 (0.05-6)	0.02-0.1 (0.2-1)	0.6 (6)	0.9 (9)
	SZ010B	0.005-1 (0.05-10)	0.04-0.2 (0.4-2)	1 (10)	2 (20)
	SZ025B	0.03-2.5 (0.3-25)	0.1-0.5 (1-5)	2.5 (25)	4.2 (42)
	SZ035B	0.05-3.5 (0.5-35)	0.15-0.8 (1.5-8)	3.5 (35)	5.3 (53)
	SZ050B	0.1-5 (1-50)	0.35-0.9 (3.5-9)	5 (50)	14 (140)
	SZ115B	0.2-11.5 (2-115)	0.8-1.8 (8-18)	11.5 (115)	17.5 (175)
DPDT	SZ001BW	0.003-0.1 (0.03-1)	0.004-0.02 (0.04-0.2)	0.1 (1)	0.15 (1.5)
	SZ002BW	0.005-0.2 (0.05-2)	0.008-0.04 (0.08-0.4)	0.2 (2)	0.3 (3)
	SZ006BW	0.005-0.6 (0.05-6)	0.03-0.1 (0.3-1)	0.6 (6)	0.9 (9)
	SZ010BW	0.005-1 (0.05-10)	0.05-0.2 (0.5-2)	1 (10)	2 (20)
	SZ025BW	0.03-2.5 (0.3-25)	0.13-0.5 (1.3-5)	2.5 (25)	4.2 (42)
	SZ035BW	0.05-3.5 (0.5-35)	0.19-0.8 (1.9-8)	3.5 (35)	5.3 (53)
	SZ050BW	0.1-5 (1-50)	0.45-0.9 (4.5-9)	5 (50)	14 (140)
	SZ115BW	0.2-11.5 (2-115)	1-1.8 (10-18)	11.5 (115)	17.5 (175)

- Fixed differential (dead band) types are available for each model equipped with SPDT or DPDT micro switch.
- The differential (dead band) of the fixed differential (dead band) type is less than or equal to the minimum value of the adjustable differential (dead band) models.
- A SUS316L bellows is available for each model equipped with SPDT or DPDT micro switch.
- The set point must be within the range.

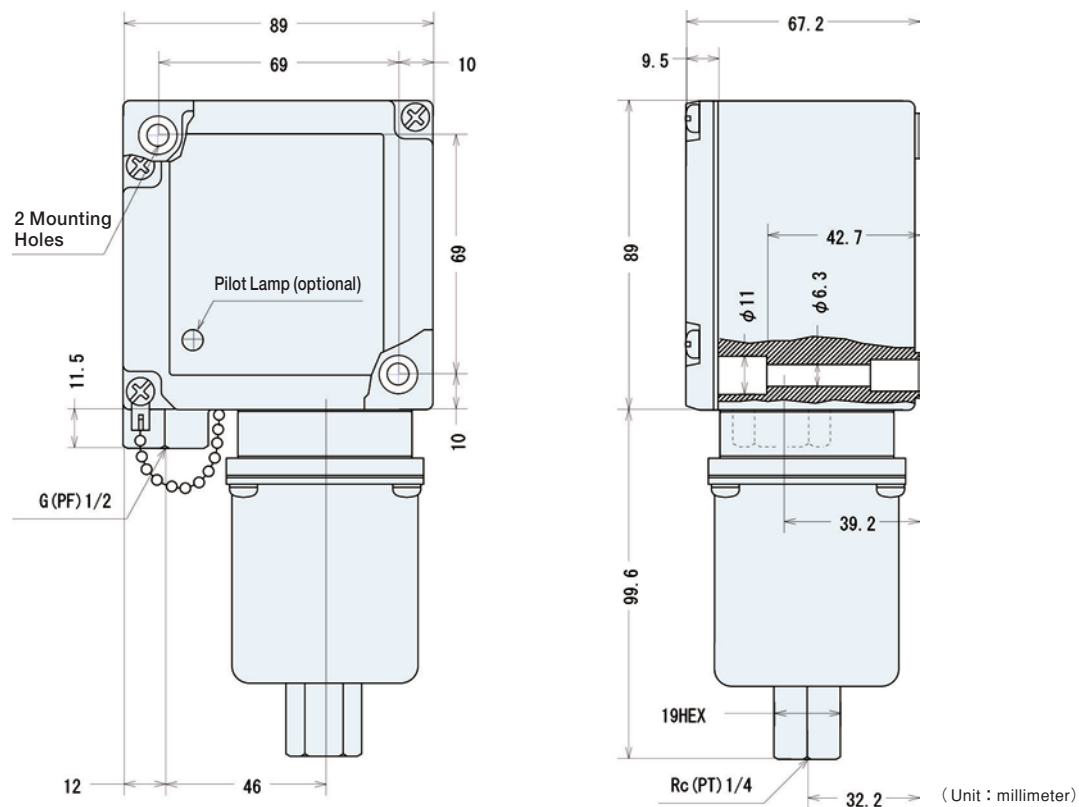
## SZ001B/BS

Mass: approx. 1.38kg



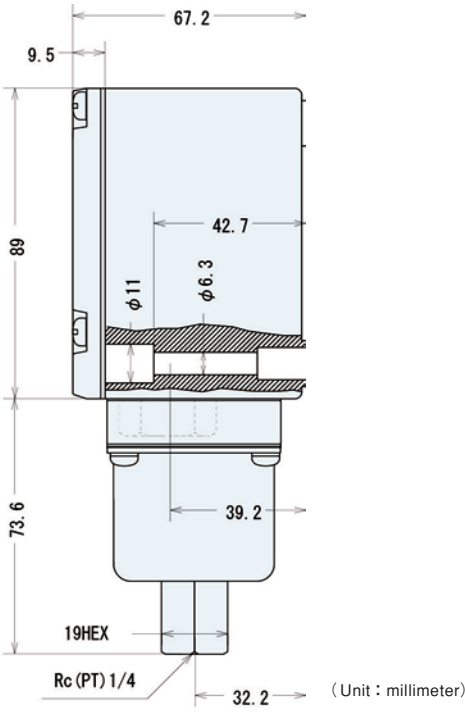
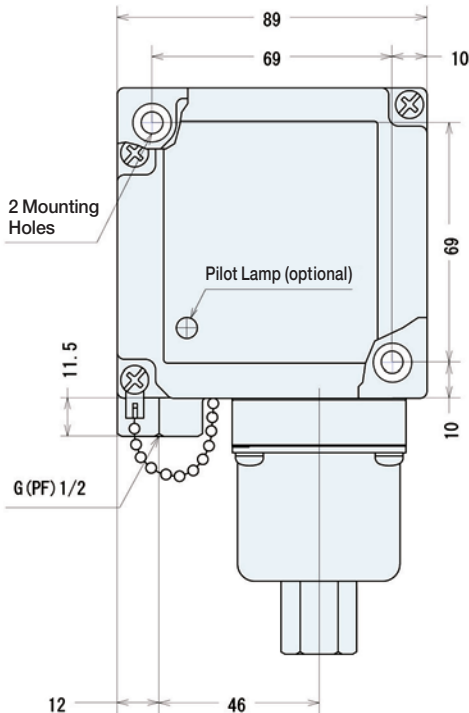
## SZ002B/BS

Mass: approx. 1.08kg

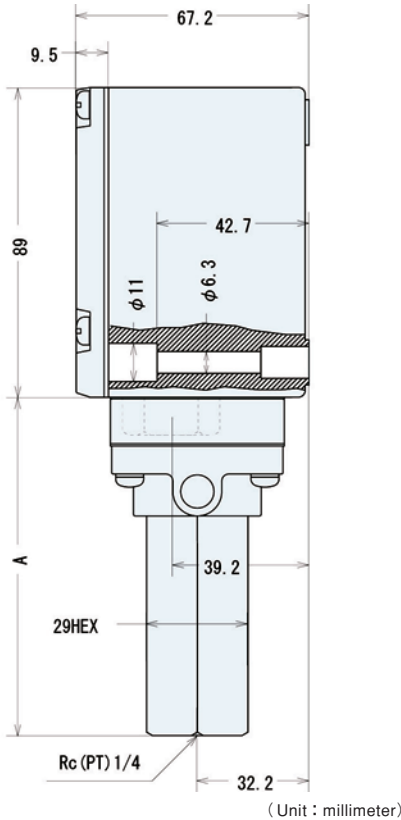
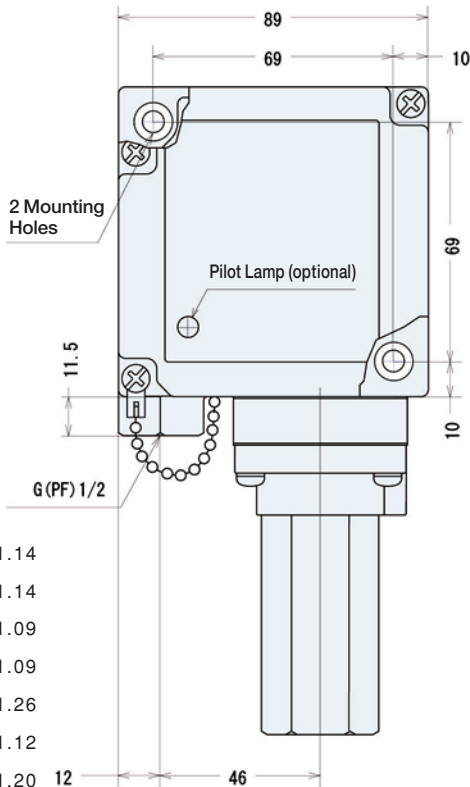


SZ006B / BS  
SZ010B / BS

Mass : approx. 0.92kg



SZ025B / BS  
SZ035B / BS  
SZ050B / BS  
SZ115B / BS



Type	A	Mass (kg)
SZ025B	95.4	Approx. 1.14
SZ035B	95.4	Approx. 1.14
SZ025BS	85.4	Approx. 1.09
SZ035BS	85.4	Approx. 1.09
SZ050B	125.4	Approx. 1.26
SZ050BS	104.4	Approx. 1.12
SZ115B	108	Approx. 1.20
SZ115BS	93	Approx. 1.16