

Differential Pressure Switches (Bellows Actuator)

SZ□□□BD、SZ1/10BDC (SPDT) / SZ□□□BDW (DPDT)



Features

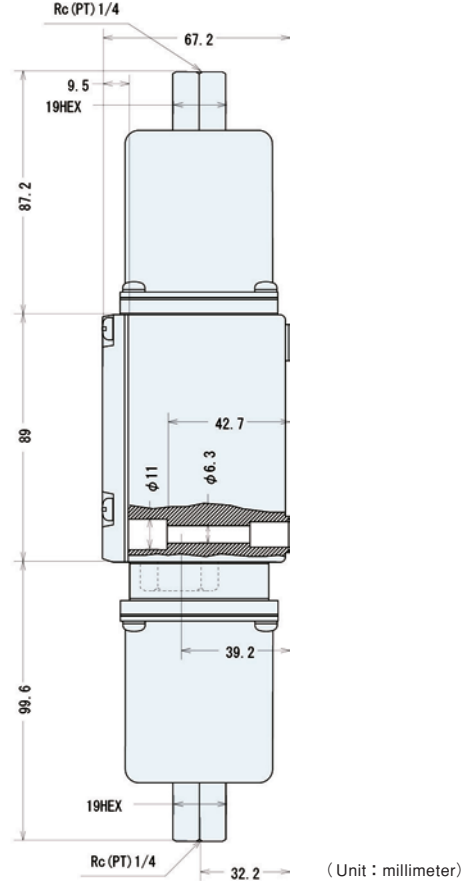
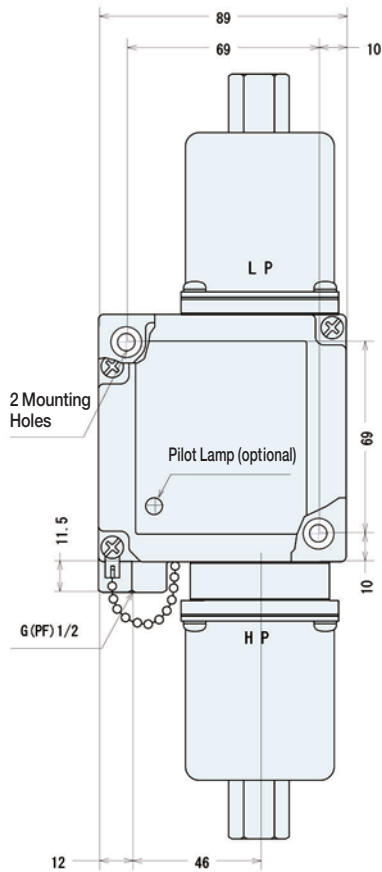
- The differential pressure switch detects pressure difference between two pressures. Not only the differential pressure but also the dead band of the switch can be set.
- A high quality phosphor bronze bellows is adopted as a pressure sensing element. It can be used for pressure medium such as air, oil and gases.
- When it is used for medium of causticity, water and steam, we recommend use SUS316L bellows actuator.
- The differential pressure switches are applicable to the range from 0.0002 to 2.5MPa.
- The micro switch is selectable from a SPDT standard rating type, a micro-load type (for 24V DC), and a sealed type (environment resistance). In addition, a DPDT contact micro switch is also available. * Refer to page 56 for details.
- CCC, UL and CSA approved (Please note that UL or CSA approved switches are not available for the devices equipped with a SPDT micro-load contact, a sealed contact and a DPDT contact. CCC certified switches is not available for the with pilot lamps.)

Type of Micro Switches	Models	Range MPa (kgf/cm ²) MIN. - MAX.	Sensitivity (Dead Band) The switch is activated on increasing pressure difference. MPa (kgf/cm ²) MIN. - MAX.	Range of Adjustable Difference The switch is reset on decreasing pressure difference. MPa (kgf/cm ²) MIN. - MAX.	Rated Pressure Maximum Pressure in Continuous Use MPa (kgf/cm ²)	Proof Pressure MPa (kgf/cm ²)
SPDT	SZ002BD	0.005-0.2 (0.05-2)	0.005-0.04 (0.05-0.4)	0-0.2 (0-2)	0.2 (2)	0.3 (3)
	SZ006BD	0.005-0.6 (0.05-6)	0.02-0.1 (0.2-1)	0-0.6 (0-6)	0.6 (6)	0.9 (9)
	SZ010BD	0.005-1 (0.05-10)	0.04-0.2 (0.4-2)	0-1 (0-10)	1 (10)	2 (20)
	SZ025BD	0.03-2.5 (0.3-25)	0.14-0.5 (1.4-5)	0-2.5 (0-25)	2.5 (25)	4.2 (42)
	SZ1/10BDC *	0.0002-0.05 (0.002-0.5)	0.0012-0.005 (0.012-0.05)	0-0.01 (0-0.1)	0.05 (0.5)	0.15 (1.5)
DPDT	SZ002BDW	0.005-0.2 (0.05-2)	0.005-0.04 (0.05-0.4)	0-0.2 (0-2)	0.2 (2)	0.3 (3)
	SZ006BDW	0.005-0.6 (0.05-6)	0.02-0.1 (0.2-1)	0-0.6 (0-6)	0.6 (6)	0.9 (9)
	SZ010BDW	0.005-1 (0.05-10)	0.04-0.2 (0.4-2)	0-1 (0-10)	1 (10)	2 (20)
	SZ025BDW	0.03-2.5 (0.3-25)	0.14-0.5 (1.4-5)	0-2.5 (0-25)	2.5 (25)	4.2 (42)
	SZ1/10BDW	0.0002-0.05 (0.002-0.5)	0.0016-0.005 (0.016-0.05)	0-0.01 (0-0.1)	0.05 (0.5)	0.15 (1.5)

- Fixed sensitivity (dead band) types are available for each model equipped with SPDT or DPDT micro switch.
- The sensitivity (dead band) of the fixed sensitivity (dead band) model is less than or equal to the minimum value of the adjustable sensitivity (dead band) models.
- A SUS316L bellows is selectable for each model equipped with SPDT or DPDT micro switch.
- UL or CSA approved devices are not available for SZ1/10BDC, SZ002BDW, SZ006BDW, SZ010BDW, SZ025BDW and SZ1/10BDW.
- The set point must be within the range.
- * Only a sealed type micro switch is available.

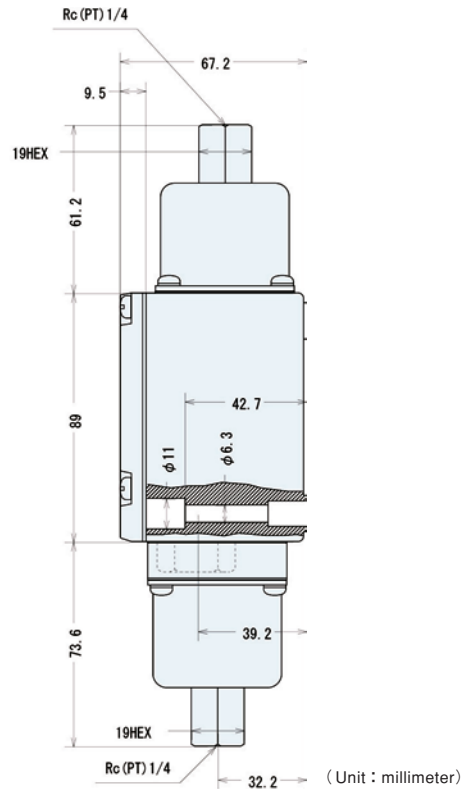
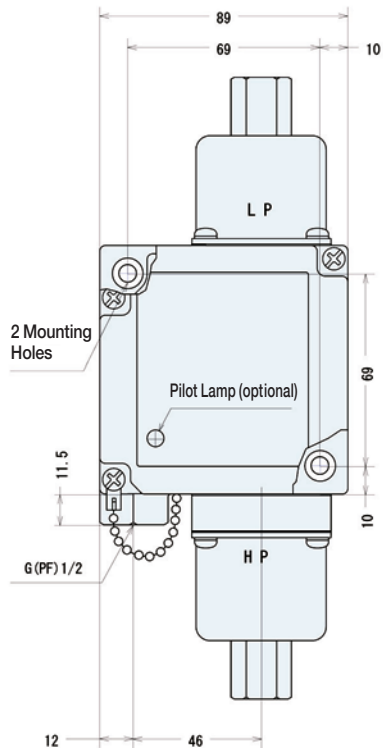
SZ002BD / BSD

Mass : approx. 1.45kg



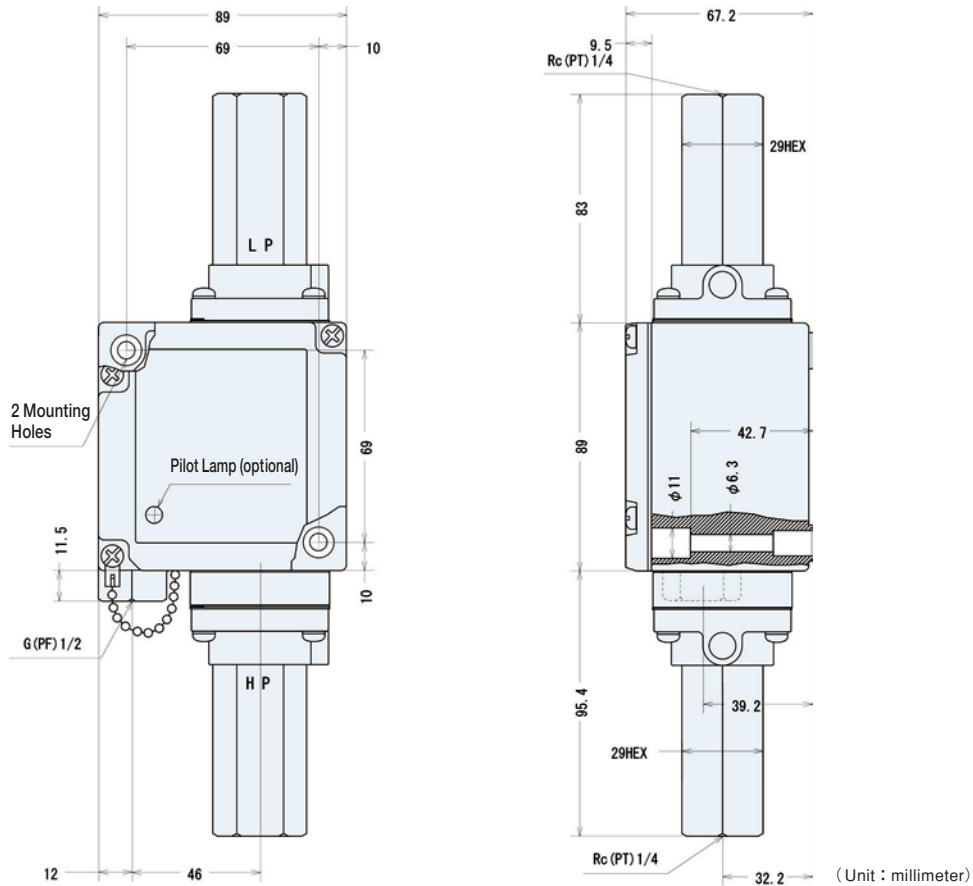
SZ006BD / BSD SZ010BD / BSD

Mass : approx. 1.12kg



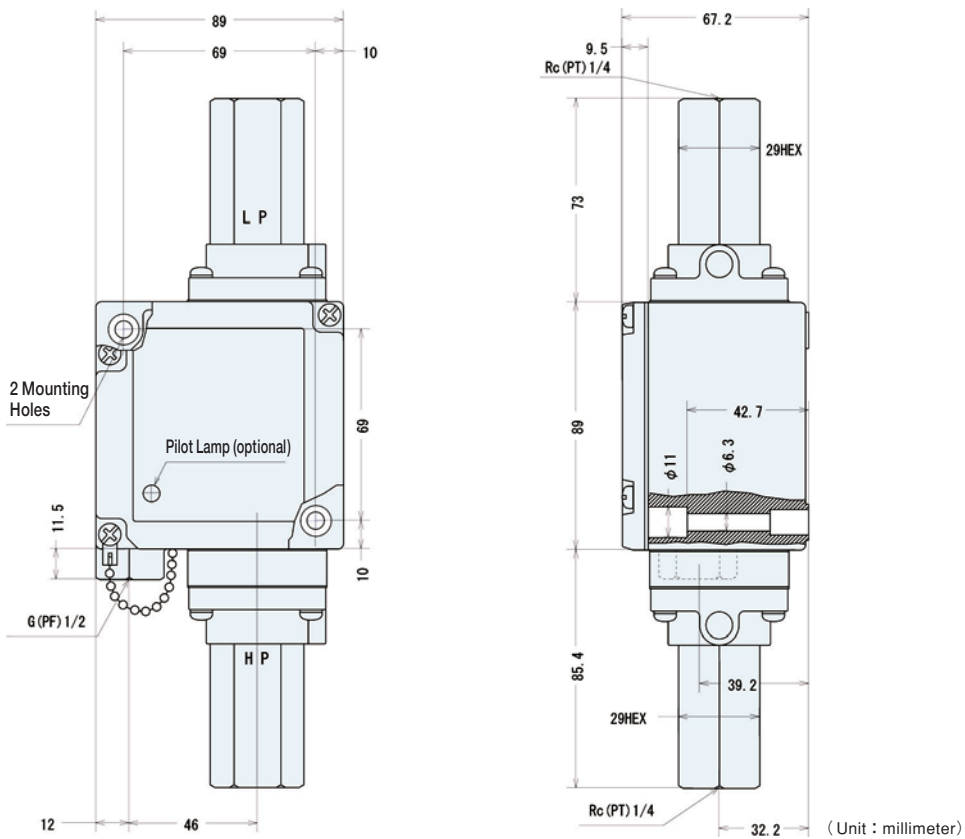
SZ025BD

Mass : approx. 1.55kg



SZ025BSD

Mass : approx. 1.55kg



SZ1/10BDC / BSDC

Mass : approx. 2.15kg

