

# Low Pressure Switches (Bellows Actuator)

SZ□□□BF-X15 (SPDT)



## Features

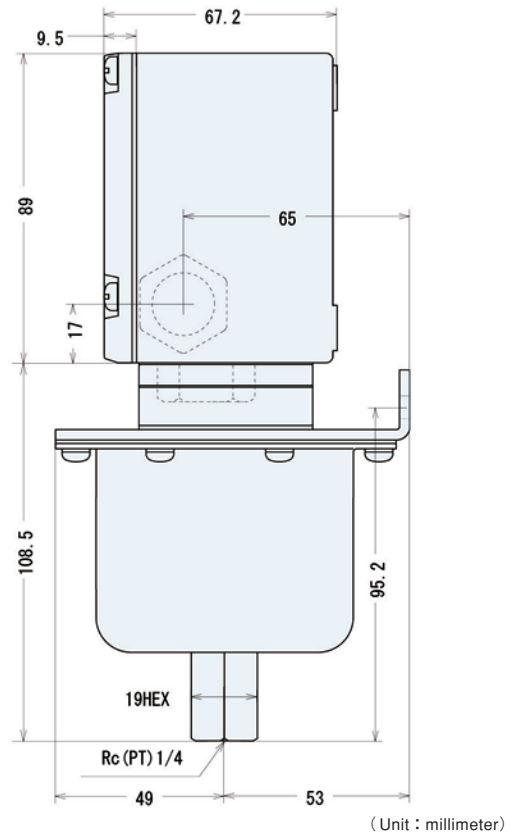
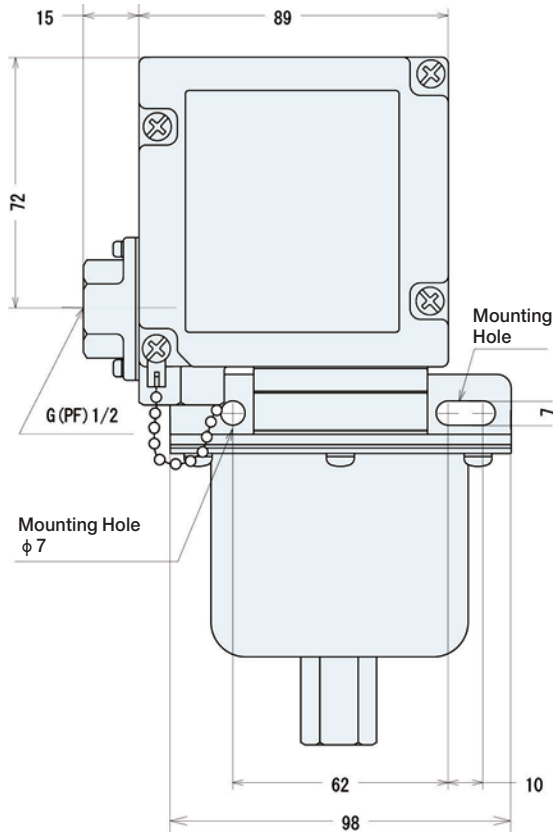
- The low pressure switches adapt to very small differential (dead band) within a very low pressure range.
- The high proof pressure of the switch assures you to use the switch with reassurance at any time.
- A high quality phosphor bellows is adopted as a pressure sensing element.
- The low pressure switches can be used for various pressure medium such as air, water, oil, gases and steam.
- The low pressure switches are applicable to the range from 0.5 to 60kPa.
- CCC approved

Type of Micro Switches	Models	Range MIN. : Minimum setting point of falling pressure. MAX. : Maximum setting point of rising pressure. kPa (kgf/cm <sup>2</sup> ) MIN. - MAX.	Differential (Dead Band) Add to the Range Value kPa (kgf/cm <sup>2</sup> )	Rated Pressure Maximum Pressure in Continuous Use kPa (kgf/cm <sup>2</sup> )	Proof Pressure kPa (kgf/cm <sup>2</sup> )
SPDT (C contact only)	SZ1/5BF-X15	0.5-20 (0.005-0.2)	0.7 (0.007)	20 (0.2)	150 (1.5)
	SZ2/5BF-X15	1-40 (0.01-0.4)	1.2 (0.012)	40 (0.4)	300 (3)
	SZ3/5BF-X15	2-60 (0.02-0.6)	2.0 (0.02)	60 (0.6)	900 (9)

- The differential (dead band) is not adjustable. It is fixed less than of indicated value.
- Only SPDT (C contact) micro switch is available.
- An optional pilot lamp can not be equipped.
- A SUS316L bellows is also available.
- The set point must be within the range.

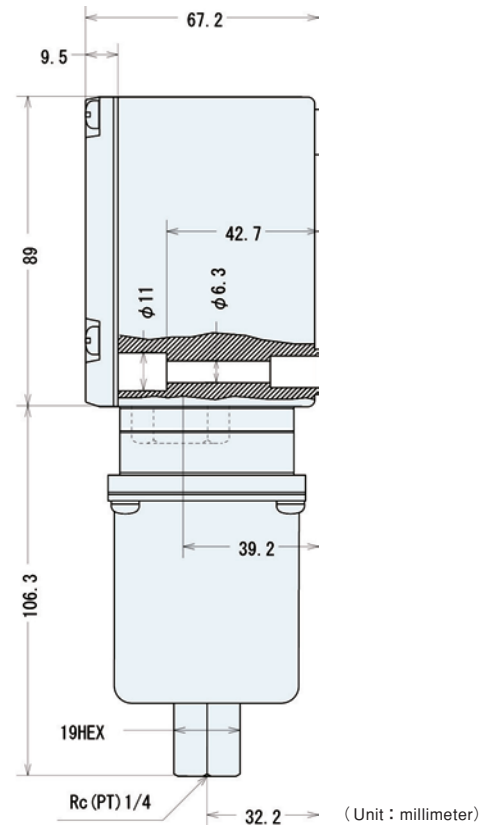
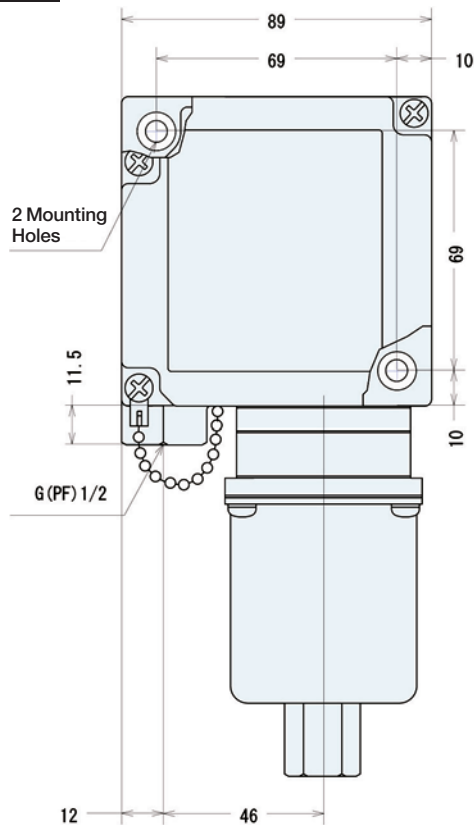
SZ1/5BF-X15  
SZ1/5BSF-X15

Mass : approx. 1.50kg



SZ2/5BF-X15  
SZ2/5BSF-X15

Mass : approx. 1.10kg



SZ3/5BF-X15  
SZ3/5BSF-X15

Mass : approx. 1.00kg

