

Compound-Pressure Switches

SZ□□□BR、SZ1/10BRF-X15 (SPDT) / SZ□□□BRW (DPDT)



Features

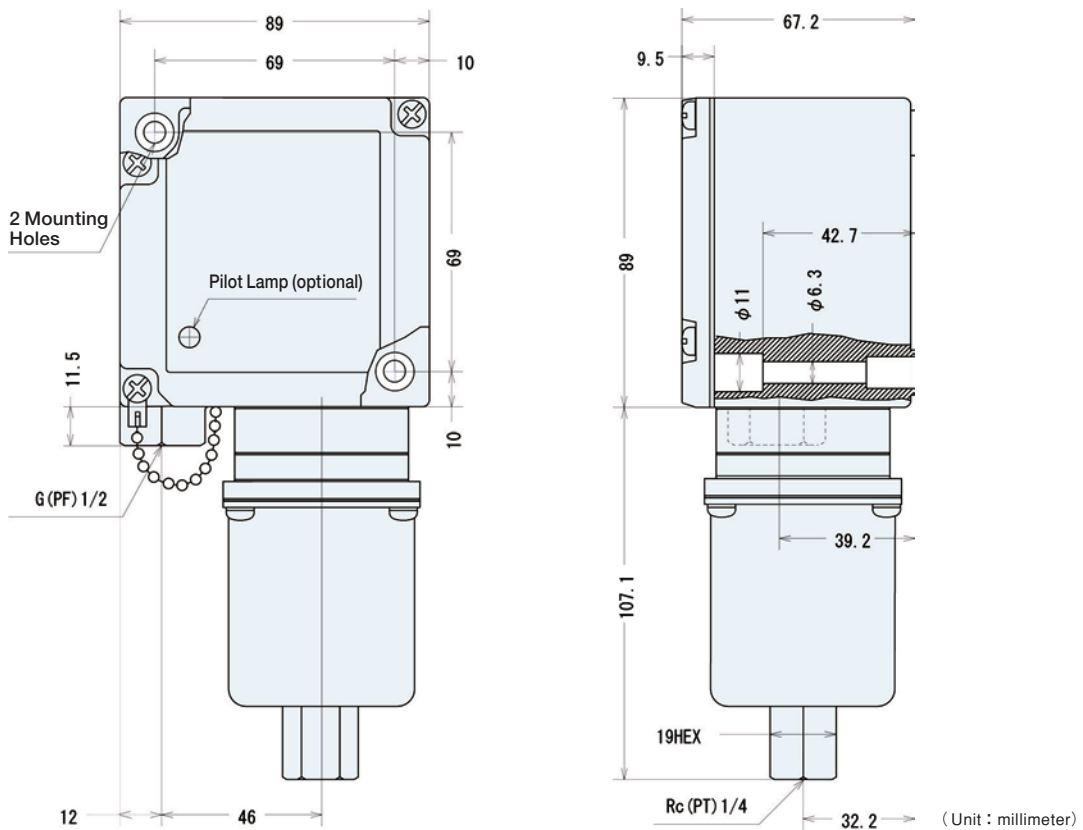
- The compound-pressure switches can be used from a vacuum range to a positive pressure range. They can be set within vacuum range only, from vacuum to positive pressure ranges, or positive pressure range only.
- The atmospheric pressure (gauge pressure = 0) can be also set.
- A high quality phosphor bellows is adopted as a pressure sensing element.
- The compound-pressure switches can be used for various pressure medium such as air, water, oil, gases and steam.
- CCC approved
(Please note that CCC certified switches is not available for the with pilot lamps).

Type of Micro Switches	Models	Range MIN. : Minimum setting point of falling pressure. MAX. : Maximum setting point of rising pressure. MIN. - MAX.	Differential (Dead Band) Add to the Range Value kPa (kgf/cm ²) MIN. - MAX.	Rated Pressure Maximum Pressure in Continuous Use	Proof Pressure kPa (kgf/cm ²)
SPDT	SZ001BR	80kPaVac-100kPa (600mmHgV-1kgf/cm ²)	9-40 (0.09-0.4)	100kPaVac-100kPa (760mmHgV-1kgf/cm ²)	300 (3)
	SZ005BR	73kPaVac-500kPa (550mmHgV-5kgf/cm ²)	20-100 (0.2-1)	100kPaVac-500kPa (760mmHgV-5kgf/cm ²)	900 (9)
	SZ009BR	67kPaVac-900kPa (500mmHgV-9kgf/cm ²)	40-200 (0.4-2)	100kPaVac-900kPa (760mmHgV-9kgf/cm ²)	2000 (20)
	SZ1/10BRF-X15 *	10kPaVac-10kPa (76mmHgV-0.1kgf/cm ²)	0.49 (0.0049)	10kPaVac-10kPa (76mmHgV-0.1kgf/cm ²)	150 (1.5)
DPDT	SZ001BRW	80kPaVac-100kPa (600mmHgV-1kgf/cm ²)	10-40 (0.1-0.4)	100kPaVac-100kPa (760mmHgV-1kgf/cm ²)	300 (3)
	SZ005BRW	73kPaVac-500kPa (550mmHgV-5kgf/cm ²)	30-100 (0.3-1)	100kPaVac-500kPa (760mmHgV-5kgf/cm ²)	900 (9)
	SZ009BRW	67kPaVac-900kPa (500mmHgV-9kgf/cm ²)	50-200 (0.5-2)	100kPaVac-900kPa (760mmHgV-9kgf/cm ²)	2000 (20)

- Fixed differential (dead band) types are available for each model equipped with SPDT or DPDT micro switch.
 - The differential (dead band) of the fixed differential (dead band) type is less than or equal to the minimum value of the adjustable differential (dead band) models.
 - A SUS316L bellows is available for SZ1/10BRF-X15 only.
 - The set point must be within the range.
- * Only SPDT (C contact) is available. An optional pilot lamp can not be equipped.

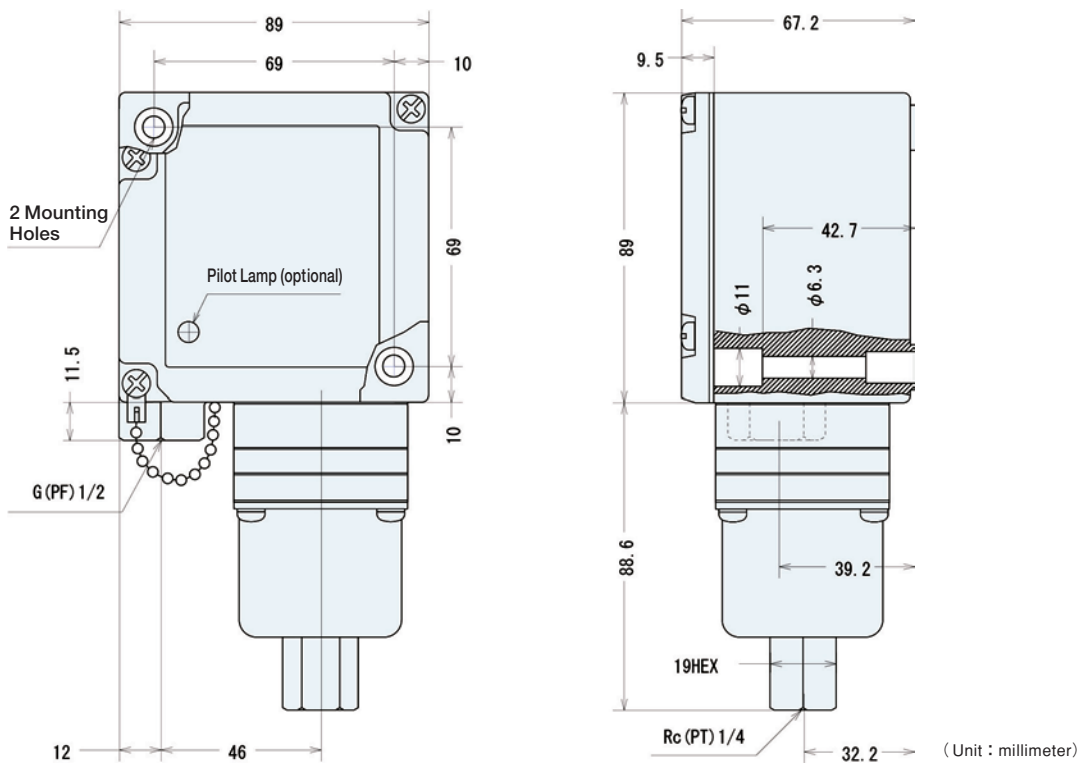
SZ001BR

Mass : approx. 1.33kg



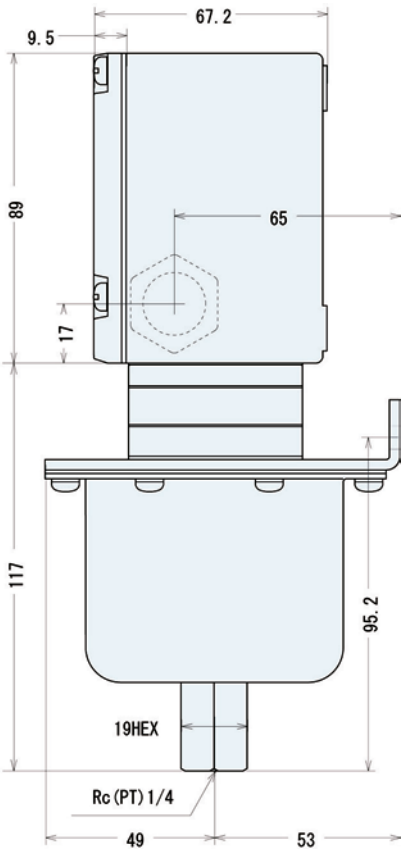
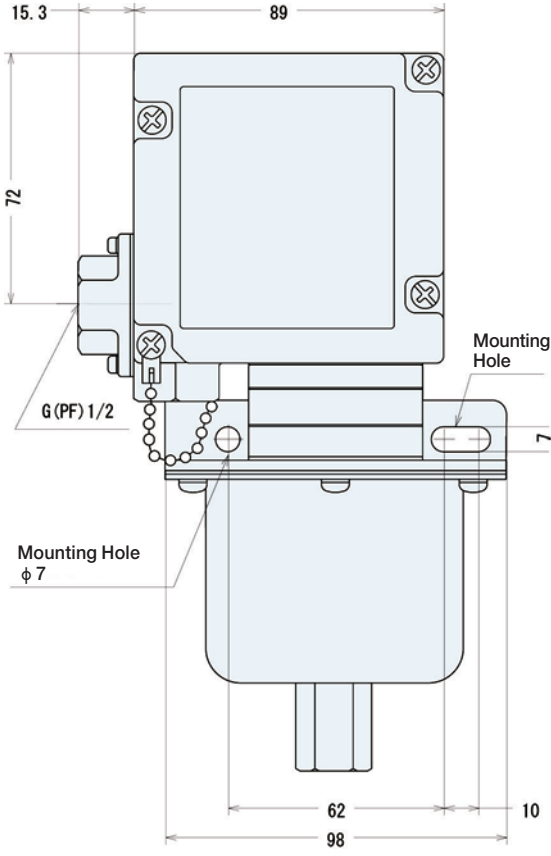
SZ005BR SZ009BR

Mass : approx. 1.13kg



SZ1/10BRF-X15

Mass : approx. 1.64kg



(Unit : millimeter)