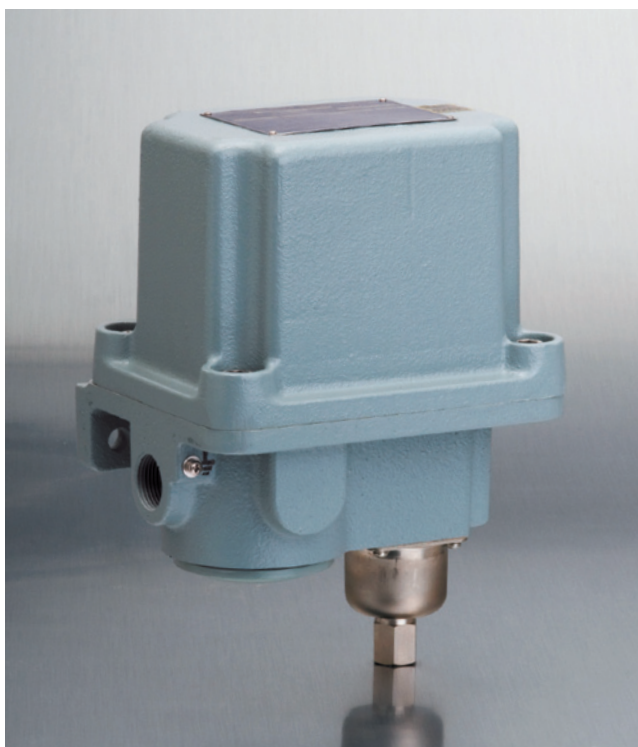


# Explosion-proof Pressure Switches (Bellows Actuator)

TEX1-SZ□□□B / TEXW-SZ□□□BW



## Features

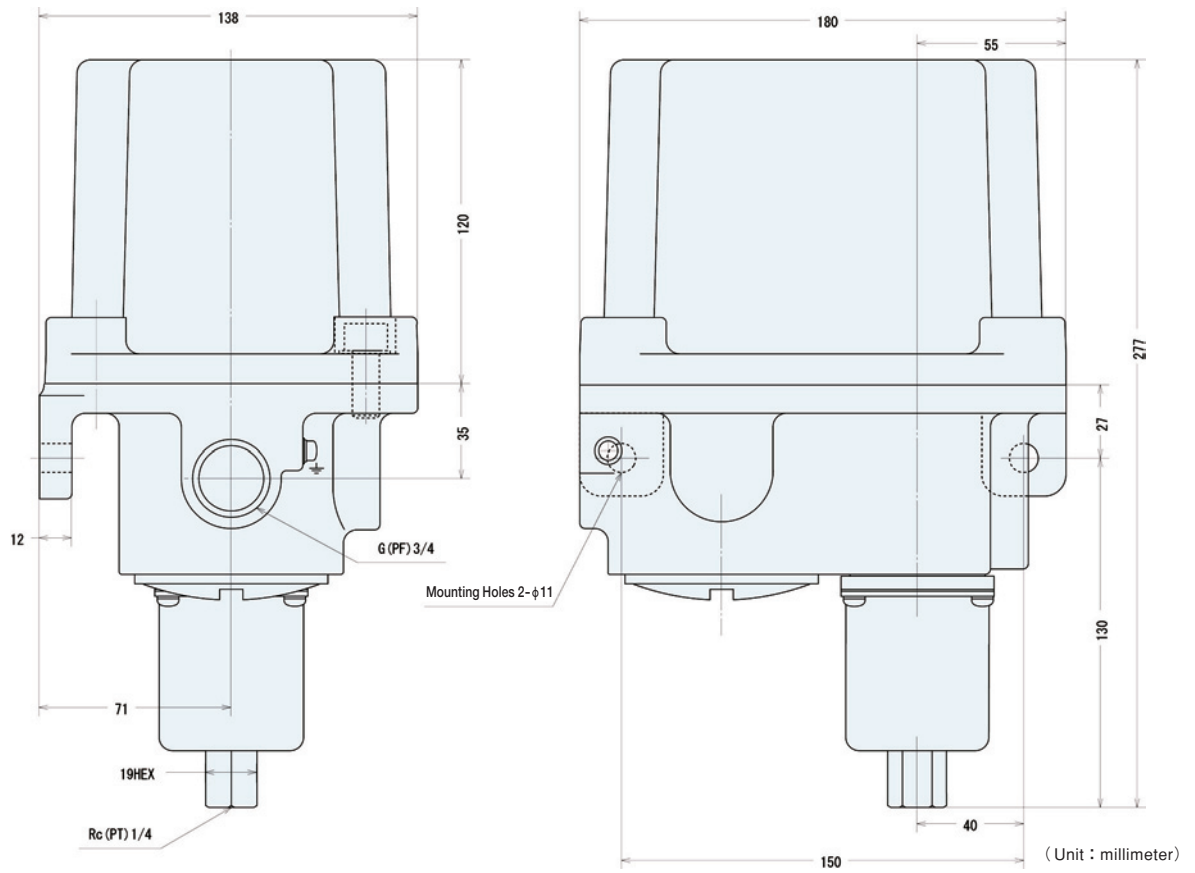
- An explosion-proof type pressure switches that enclose the Super Z.
- A high quality phosphor bronze bellows is adopted as a pressure sensing element. It can be used for pressure medium such as air, oil and gases.
- When it is used for medium of causticity, water and steam, we recommend use SUS316L bellows actuator.
- The pressure switches are applicable to pressures range from 0.005 to 11.5 MPa.
- The micro switch is selectable from a SPDT standard type, a micro-load type (for 24V DC), and a sealed type (environment resistance). In addition, a DPDT contact micro switch is also available. \* Refer to page 56 for details.
- d2G4 (explosion-proof class) approved.

Type of Micro Switches	Models	Range MIN. : Minimum setting point of falling pressure. MAX. : Maximum setting point of rising pressure. MPa (kgf/cm <sup>2</sup> ) MIN. - MAX.	Differential (Dead Band) Add to the Range Value MPa (kgf/cm <sup>2</sup> ) MIN. - MAX.	Rated Pressure Maximum Pressure in Continuous Use MPa (kgf/cm <sup>2</sup> )	Proof Pressure MPa (kgf/cm <sup>2</sup> )
SPDT	TEX1-SZ002B	0.005-0.2 (0.05-2)	0.008-0.04 (0.08-0.4)	0.2 (2)	0.3 (3)
	TEX1-SZ006B	0.005-0.6 (0.05-6)	0.03-0.1 (0.3-1)	0.6 (6)	0.9 (9)
	TEX1-SZ010B	0.005-1 (0.05-10)	0.06-0.2 (0.6-2)	1 (10)	2 (20)
	TEX1-SZ025B	0.03-2.5 (0.3-25)	0.17-0.5 (1.7-5)	2.5 (25)	4.2 (42)
	TEX1-SZ050B	0.1-5 (1-50)	0.5-0.9 (5-9)	5 (50)	14 (140)
	TEX1-SZ115B	0.2-11.5 (2-115)	1.2-1.8 (12-18)	11.5 (115)	17.5 (175)
DPDT	TEXW-SZ002BW	0.005-0.2 (0.05-2)	0.012-0.04 (0.12-0.4)	0.2 (2)	0.3 (3)
	TEXW-SZ006BW	0.005-0.6 (0.05-6)	0.05-0.1 (0.5-1)	0.6 (6)	0.9 (9)
	TEXW-SZ010BW	0.005-1 (0.05-10)	0.08-0.2 (0.8-2)	1 (10)	2 (20)
	TEXW-SZ025BW	0.03-2.5 (0.3-25)	0.21-0.5 (2.1-5)	2.5 (25)	4.2 (42)
	TEXW-SZ050BW	0.1-5 (1-50)	0.65-0.9 (6.5-9)	5 (50)	14 (140)
	TEXW-SZ115BW	0.2-11.5 (2-115)	1.4-1.8 (14-18)	11.5 (115)	17.5 (175)

- Fixed differential (dead band) types are available for each model equipped with SPDT or DPDT micro switch.
- The differential (dead band) of the fixed differential (dead band) type is less than or equal to the minimum value of the adjustable differential (dead band) models.
- A SUS316L bellows is available for each model equipped with SPDT or DPDT micro switch.
- The set point must be within the range.

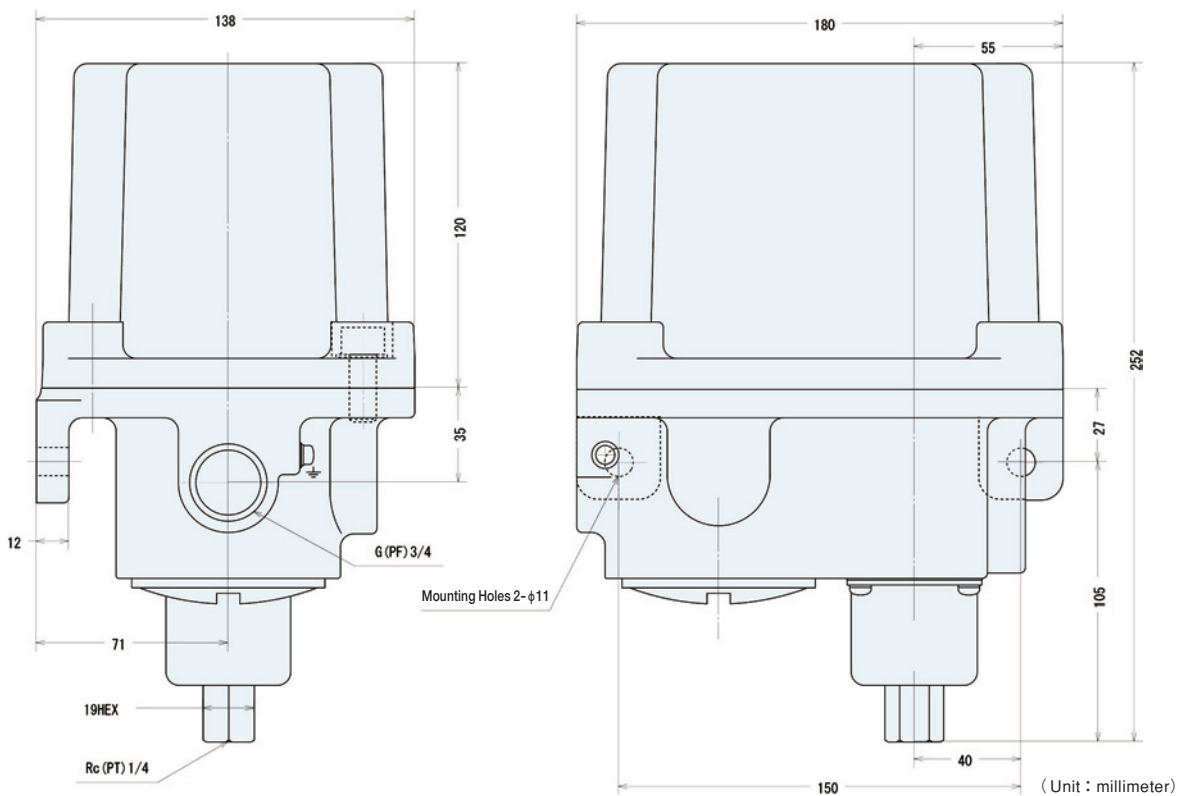
## TEX1-SZ002B/BS

Mass : approx. 9.00kg



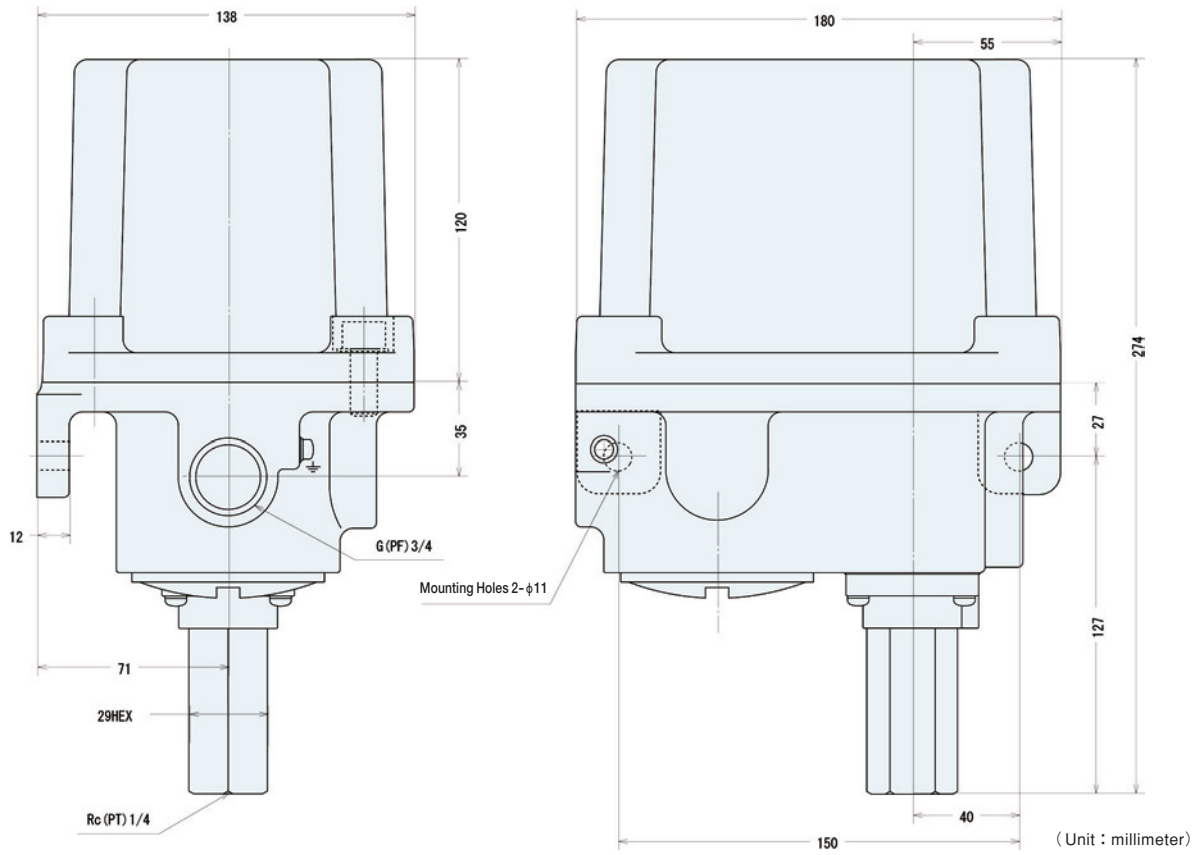
## TEX1-SZ006B/BS TEX1-SZ010B/BS

Mass : approx. 9.00kg



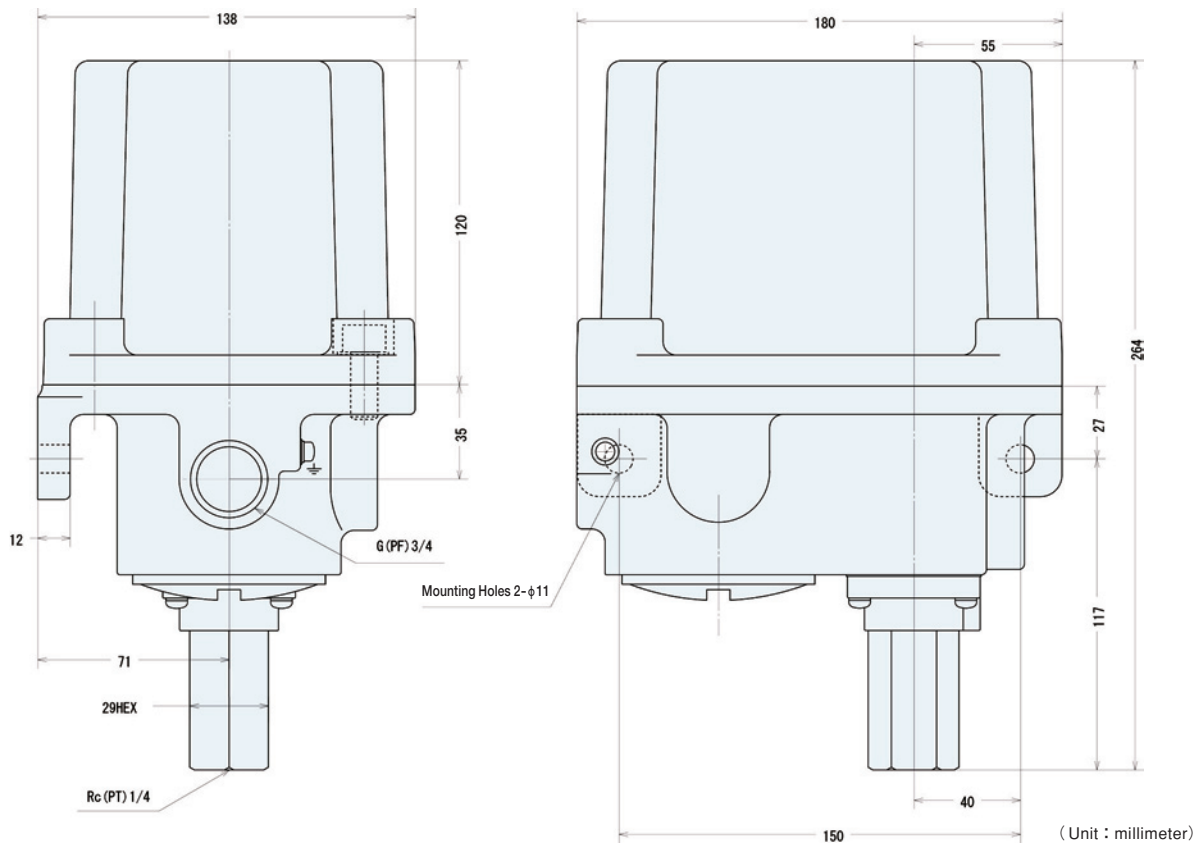
**TEX1-SZ025B**

Mass : approx. 9.00kg



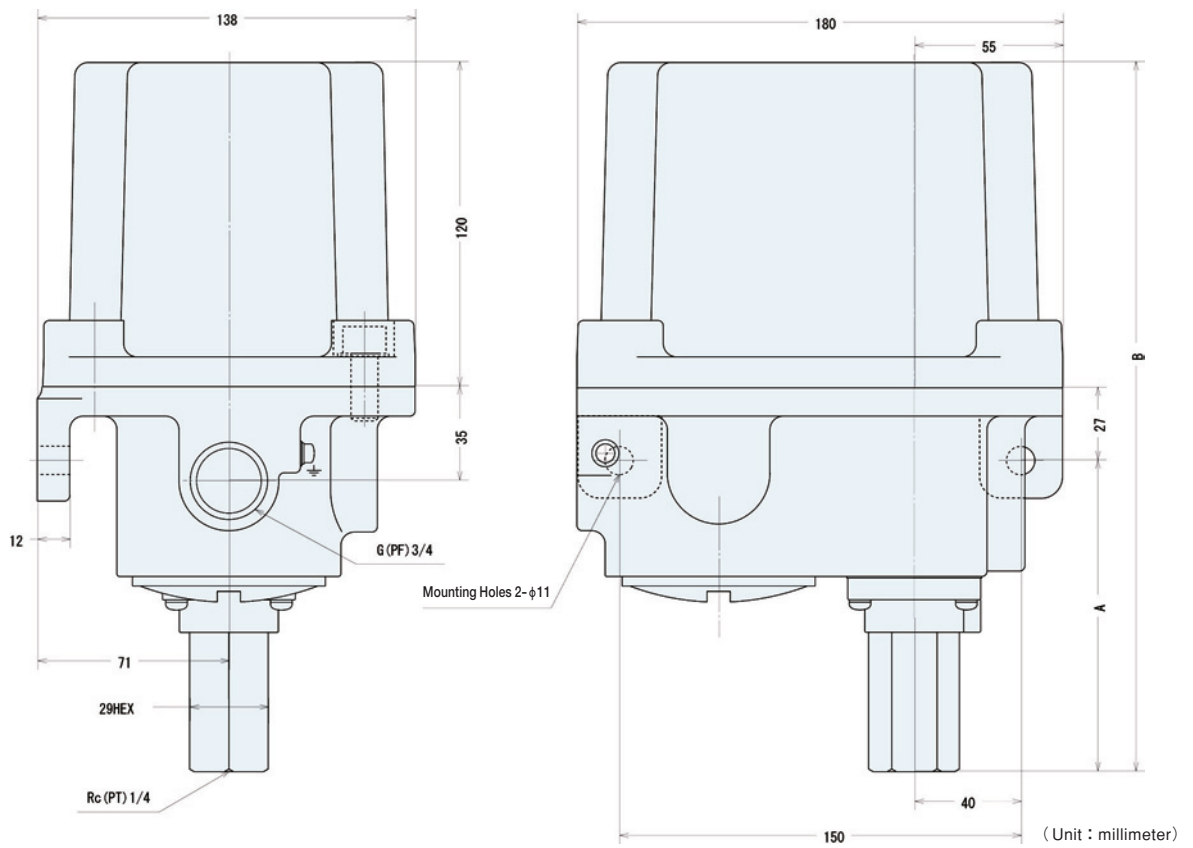
**TEX1-SZ025BS**

Mass : approx. 9.00kg



TEX1-SZ050B/BS  
TEX1-SZ115B/BS

Mass : approx. 9.00kg



Type	A	B
SZ050B	157	304
SZ050BS	136	283
SZ115B	140	287
SZ115BS	124	271