

Pressure Switch (Piston Actuator) (Available for high pressure steam and water)

Z□□□PM/Z□□□PMW



Features

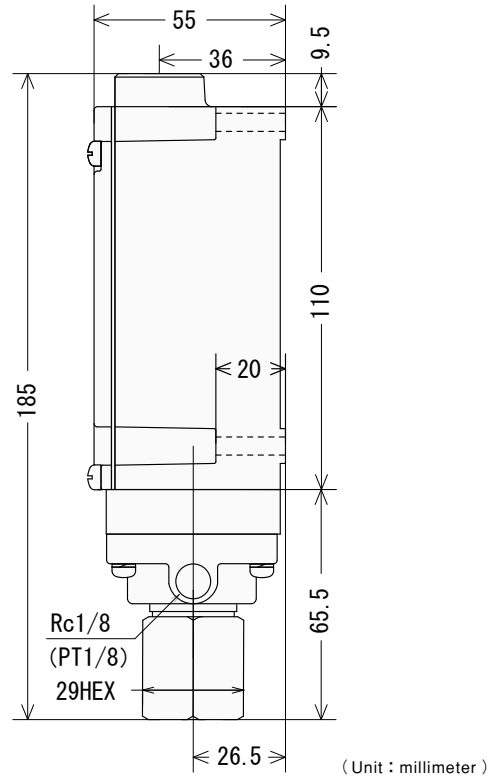
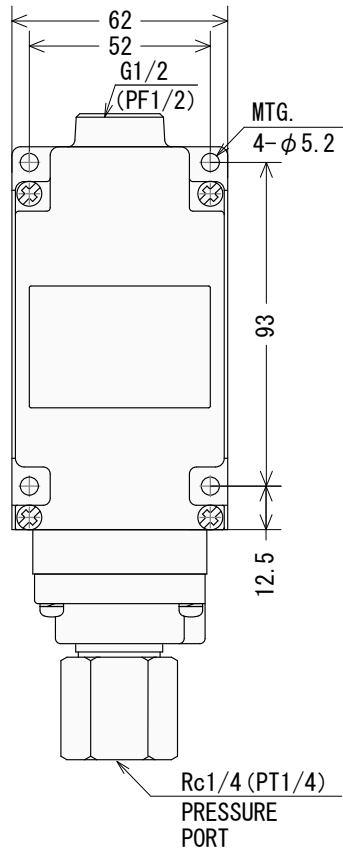
- The medium besides the oil pressure can also use the high-pressure steam and water by the specific technology.
- The sealing material is Viton, a piston made of SUS316 is adopted.
- The pressure switches are applicable to pressure from 1 to 50 MPa ranges.
- In addition to a SPDT standard micro switch, a DPDT micro switch is also available.
- CCC approved.

	Models	Range MIN. : Minimum setting point of falling pressure. MAX. : Maximum setting point of rising pressure. MPa (kgf/cm ²) MIN. - MAX.	Differential (Dead Band) MPa (kgf/cm ²) MIN. - MAX.	Rated Pressure Maximum Pressure in Continuous Use MPa (kgf/cm ²)	Proof Pressure MPa (kgf/cm ²)
SPDT	Z350PM	1-35 (10-350)	1.5-2 (15-20)	40 (400)	70 (700)
	Z500PM	2-50 (20-500)	2-2.5 (20-25)	63 (630)	100 (1,000)
DPDT	Z350PMW	1-35 (10-350)	1.8-2.5 (18-25)	40 (400)	70 (700)
	Z500PMW	2-50 (20-500)	2.5-3.0 (25-30)	63 (630)	100 (1,000)

- The differential (dead band) is not adjustable. It is fixed within the range of indicated value.
- The differential (dead band) indicates value at the middle of the pressure range. The differential (dead band) becomes smaller than the indicated value within the lower range, and larger within the higher range.

Z350PM
Z500PM

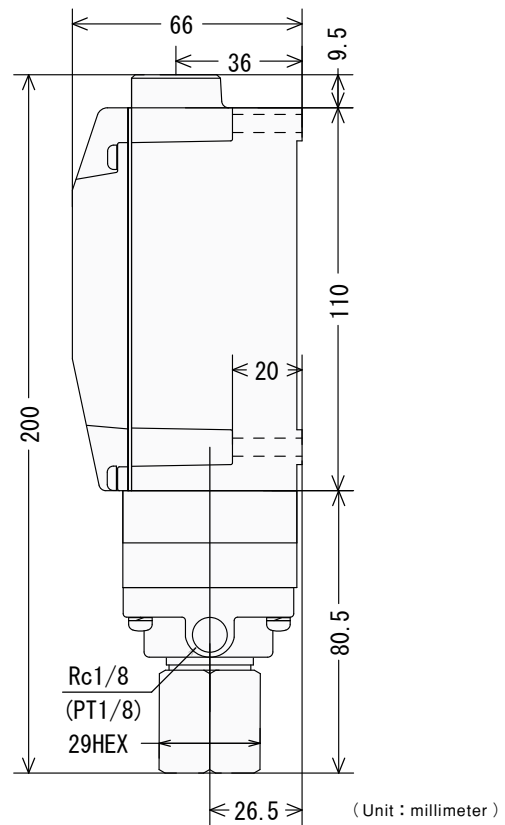
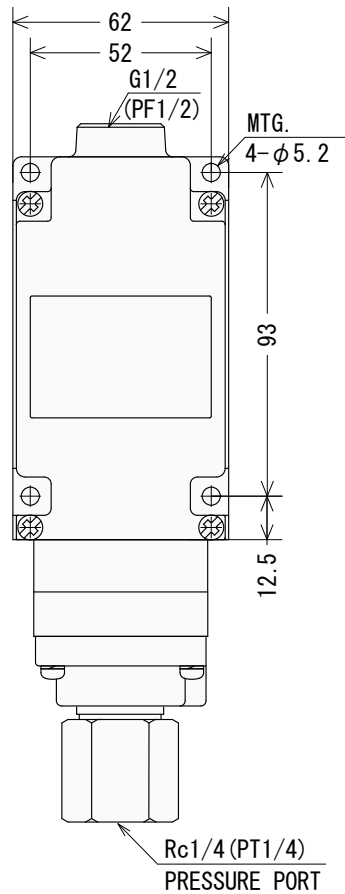
Mass : approx. 0.8kg



(Unit : millimeter)

Z350PMW
Z500PMW

Mass : approx. 0.9kg



(Unit : millimeter)