

Pressure Switches (Diaphragm Actuator)

Z□□□D/Z□□□DW



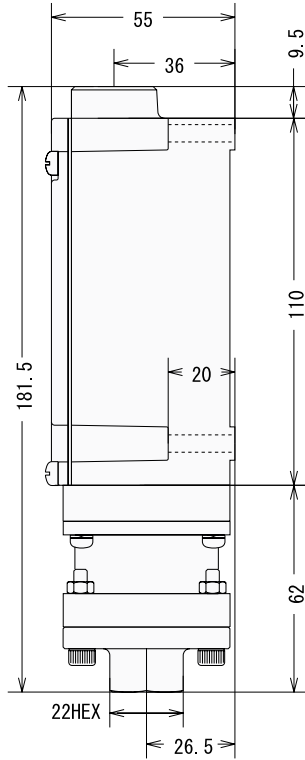
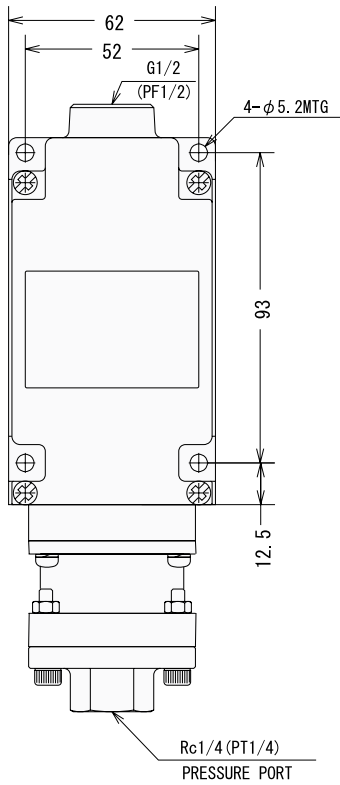
Features

- The pressure switches adapt to high pressure and extremely small differential (dead band) at the same time.
- The switches adapt up to the maximum range of 28MPa.
- A SUS316L diaphragm is adopted as a pressure sensing element.
- The diaphragm actuated pressure switches can be used for various pressure medium such as air, water, oil, gases and steam.
- In addition to a SPDT standard micro switch, a DPDT micro switch is also available.
- CCC approved.

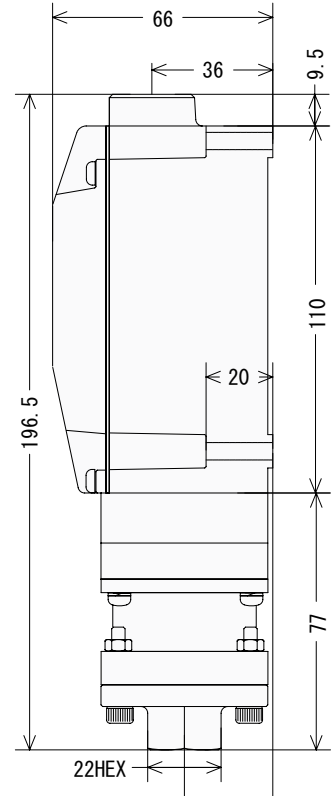
Type of the Micro Switches	Models	Range MIN. : Minimum setting point of falling pressure. MAX. : Maximum setting point of rising pressure. MPa (kgf/cm ²) MIN. - MAX.	Differential (Dead Band) Add to the Range Value (Central Value of Middle Range) MPa (kgf/cm ²)	Rated Pressure Maximum Pressure in Continuous Use MPa (kgf/cm ²)	Proof Pressure MPa (kgf/cm ²)
SPDT	Z1.7D	0.002-0.17 (0.02-1.7)	0.003 (0.03)	2.3 (23)	3.5 (35)
	Z005D	0.005-0.5 (0.05-5)	0.005 (0.05)	2.3 (23)	3.5 (35)
	Z025D	0.02-2.5 (0.2-25)	0.025 (0.25)	7 (70)	12 (120)
	Z035D	0.05-3.5 (0.5-35)	0.05 (0.5)	10 (100)	41 (410)
	Z070D	0.1-7 (1-70)	0.12 (1.2)	12 (120)	41 (410)
	Z120D	0.2-12 (2-120)	0.2 (2)	15 (150)	41 (410)
	Z280D	0.2-28 (2-280)	0.7 (7)	35 (350)	42 (420)
DPDT	Z1.7DW	0.002-0.17 (0.02-1.7)	0.0045 (0.045)	2.3 (23)	3.5 (35)
	Z005DW	0.005-0.5 (0.05-5)	0.0075 (0.075)	2.3 (23)	3.5 (35)
	Z025DW	0.02-2.5 (0.2-25)	0.04 (0.4)	7 (70)	12 (120)
	Z035DW	0.05-3.5 (0.5-35)	0.075 (0.75)	10 (100)	41 (410)
	Z070DW	0.1-7 (1-70)	0.18 (1.8)	12 (120)	41 (410)
	Z120DW	0.2-12 (2-120)	0.3 (3)	15 (150)	41 (410)
	Z280DW	0.2-28 (2-280)	1 (10)	35 (350)	42 (420)

- The differential (dead band) is not adjustable.
- The differential (dead band) indicates value at the middle of the pressure range. The differential (dead band) becomes smaller than the indicated value within the lower range, and larger within the higher range.
- Only “C” contact micro switch is available.

Z1.7D
Z005D
Z025D



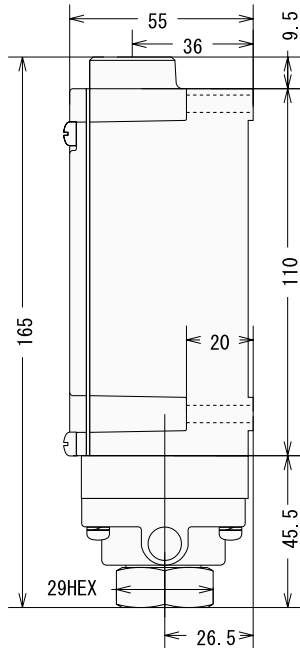
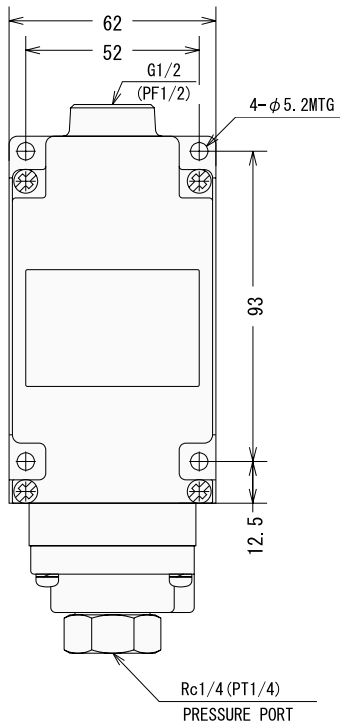
Mass : approx. 0.9kg
※ Please note : Total length of DPDT is longer than SPDT.



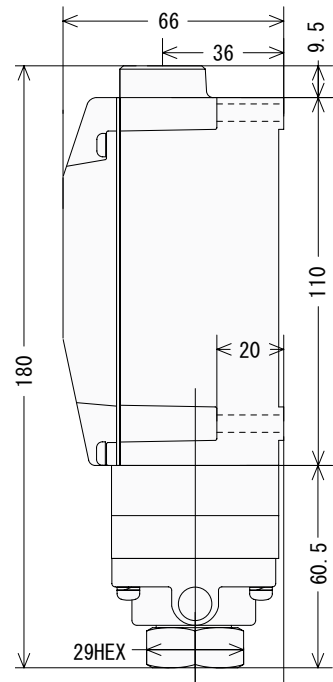
a side view of DPDT

(Unit : millimeter)

Z035D
Z070D
Z120D
Z280D



Mass : approx. 0.7kg
※ Please note : Total length of DPDT is longer than SPDT.



a side view of DPDT

(Unit : millimeter)