

Differential Pressure Switches (Diaphragm Actuator)

Z□□□DD / Z□□□DDW / Z□□□DDEX / Z□□□DDWEX



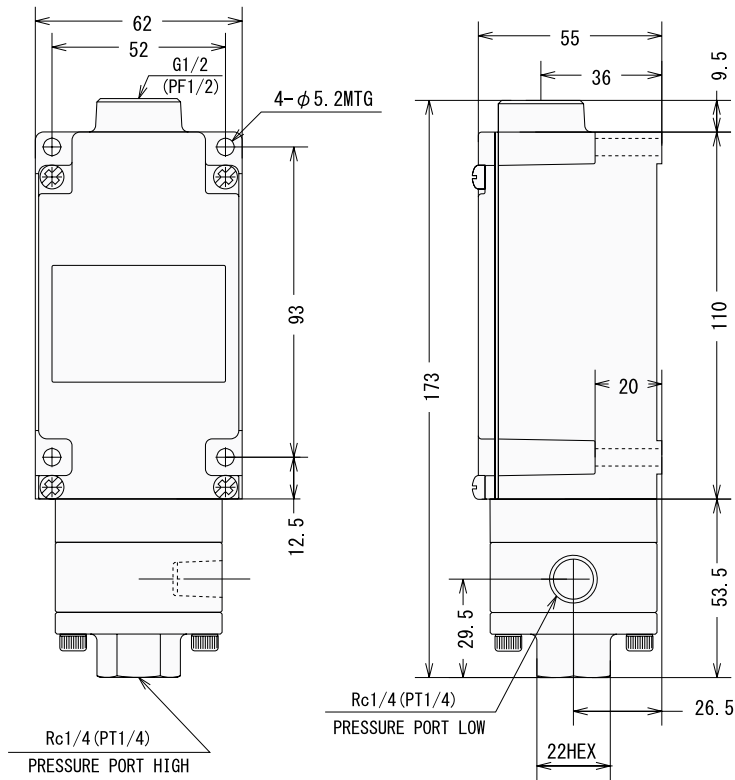
Features

- The differential pressure switches adapt to high pressure and extremely small dead band at the same time.
- The switches adapt up to the maximum range of 21MPa. The adjustable differential range is 0.002 to 3.5MPa.
- A polyimide diaphragm is adopted as a pressure sensing element.
- To realize the high proof pressure and the small dead band at the same time, the stroke and the clearance have been made smaller. (It is recommended to use an approx. 20μm filter for the both higher pressure side and lower pressure side.)
- The diaphragm actuated pressure switches can be used for various pressure medium such as air, water, oil, gases and steam.
- CCC approved.

Type of the Micro Switches	Models	Range MPa (kgf/cm ²)		Sensitivity (Dead Band) The switch is activated on increasing pressure difference. MPa (kgf/cm ²)	Range of Adjustable Difference The switch is reset on decreasing pressure difference. MPa (kgf/cm ²)		Proof Pressure MPa (kgf/cm ²)
		MIN. - MAX.			MIN. - MAX.		
SPDT	Z2.5DD	0.002-2	(0.02-20)	0.005 (0.05)	0.002-0.25	(0.02-2.5)	3.5 (35)
	Z005DD	0.005-2	(0.05-20)	0.01 (0.1)	0.005-0.5	(0.05-5)	3.5 (35)
	Z012DD	0.005-2	(0.05-20)	0.05 (0.5)	0.005-1.2	(0.05-12)	3.5 (35)
	Z020DD	0.005-2	(0.05-20)	0.07 (0.7)	0.005-2	(0.05-20)	3.5 (35)
	Z2.5DDEX	0.002-21	(0.02-210)	0.005 (0.05)	0.002-0.25	(0.02-2.5)	35 (350)
	Z005DDEX	0.005-21	(0.05-210)	0.01 (0.1)	0.005-0.5	(0.05-5)	35 (350)
	Z012DDEX	0.005-21	(0.05-210)	0.05 (0.5)	0.005-1.2	(0.05-12)	35 (350)
DPDT	Z035DDEX	0.005-21	(0.05-210)	0.07 (0.7)	0.005-3.5	(0.05-35)	35 (350)
	Z2.5DDW	0.002-2	(0.02-20)	0.0075 (0.075)	0.002-0.25	(0.02-2.5)	3.5 (35)
	Z005DDW	0.005-2	(0.05-20)	0.015 (0.15)	0.005-0.5	(0.05-5)	3.5 (35)
	Z012DDW	0.005-2	(0.05-20)	0.08 (0.8)	0.005-1.2	(0.05-12)	3.5 (35)
	Z020DDW	0.005-2	(0.05-20)	0.1 (1)	0.005-2	(0.05-20)	3.5 (35)
	Z2.5DDWEX	0.002-21	(0.02-210)	0.0075 (0.075)	0.002-0.25	(0.02-2.5)	35 (350)
	Z005DDWEX	0.005-21	(0.05-210)	0.015 (0.15)	0.005-0.5	(0.05-5)	35 (350)
Z012DDWEX	0.005-21	(0.05-210)	0.08 (0.8)	0.005-1.2	(0.05-12)	35 (350)	
Z035DDWEX	0.005-21	(0.05-210)	0.1 (1)	0.005-3.5	(0.05-35)	35 (350)	

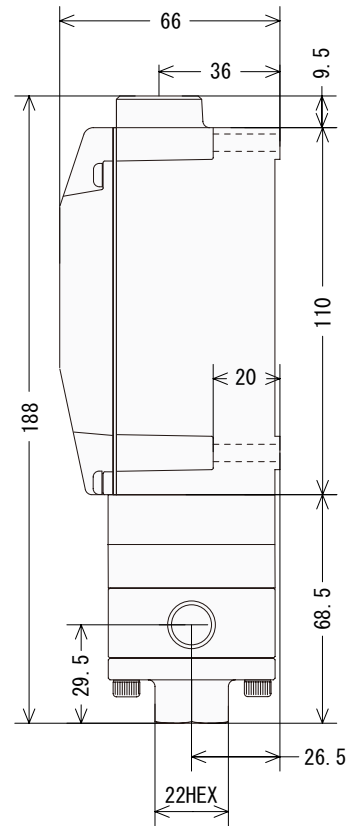
- The sensitivity (dead band) is not adjustable.
- The sensitivity (dead band) indicates value at the middle of the range of adjustable difference. The sensitivity (dead band) becomes smaller than the indicated value within the lower range of adjustable difference, and larger within the higher range of adjustable difference.
- Only "C" contact micro switch is available.

Z2.5DD
Z005DD
Z012DD
Z020DD



Mass : approx. 0.9kg

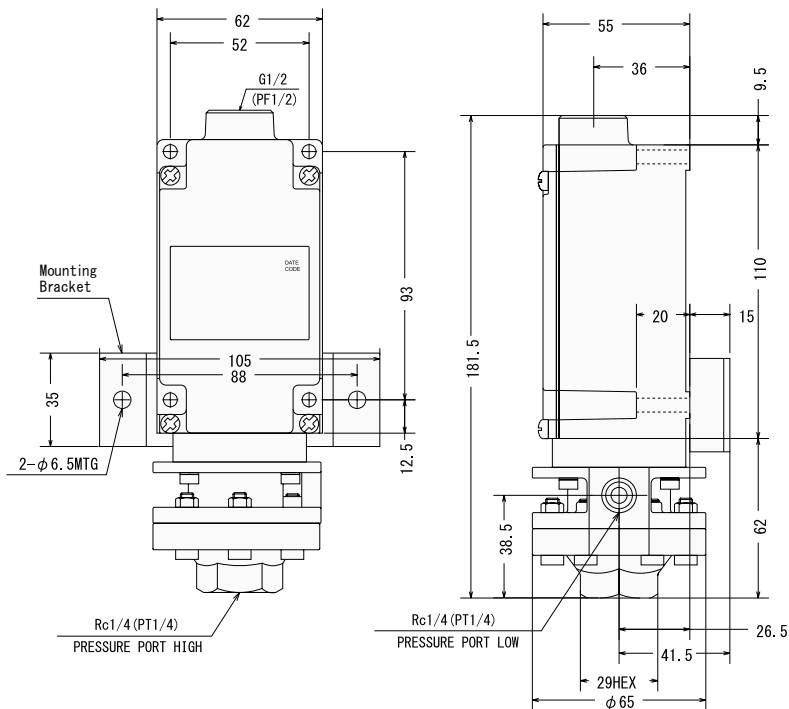
※ Please note : Total length of DPDT is longer than SPDT.



a side view of DPDT

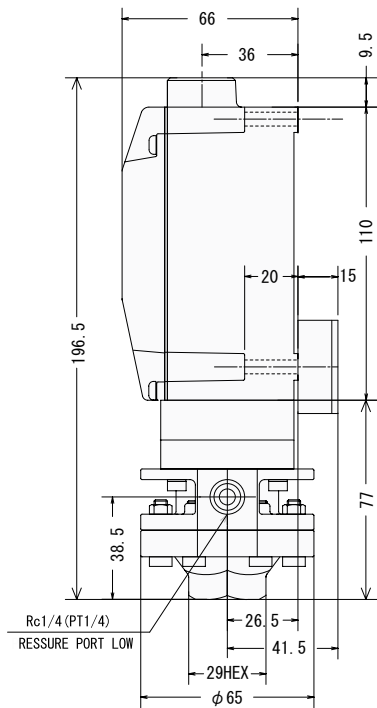
(Unit : millimeter)

Z2.5DDEX
Z005DDEX
Z012DDEX
Z035DDEX



Mass : approx. 1.3kg

※ Please note : Total length of DPDT is longer than SPDT.



a side view of DPDT

(Unit : millimeter)