

Differential Pressure Switches (Diaphragm Actuator)

Z1/4DD/Z1/4DDW



Features

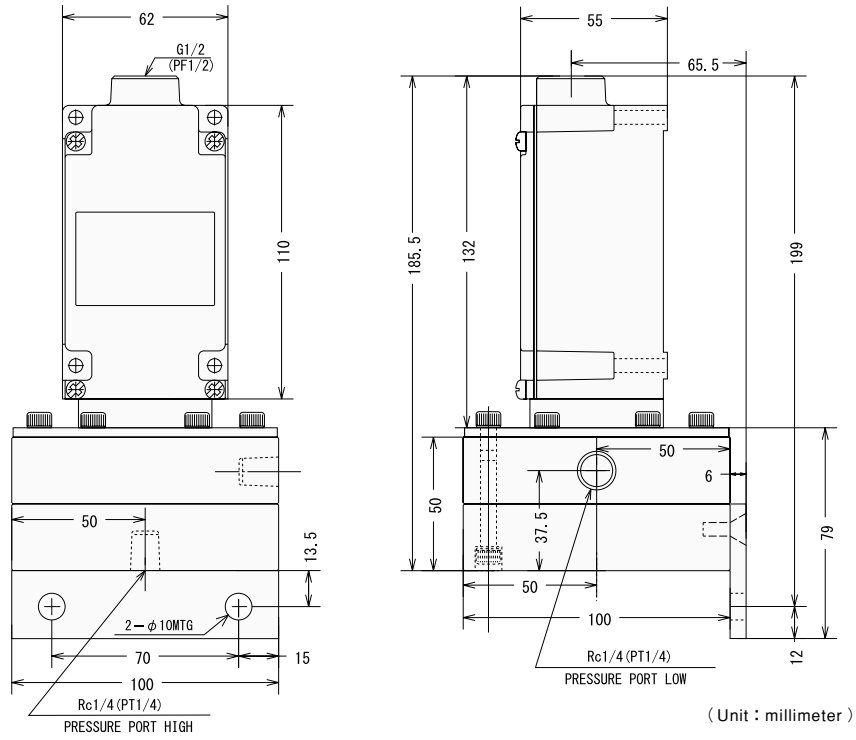
- This differential pressure switch especially specializes in extremely small differential pressure.
- The differential pressure switch adapts to the differential range of 0.0005 to 0.025MPa.
- A polyimide diaphragm is adopted as a pressure sensing element.
- To realize the high proof pressure and the extremely small dead band at the same time, stroke and clearance have been made smaller. (It is recommended to use an approx. 20 μ m filter for the both higher pressure side and lower side pressure side.)
- The diaphragm actuated pressure switches can be used for various pressure medium such as air, water, oil, gases and steam.
- CCC approved.

Type of the Micro Switches	Models	Range MPa (kgf/cm ²) MIN. - MAX.	Sensitivity (Dead Band) The switch is activated on increasing pressure difference. MPa (kgf/cm ²)	Range of Adjustable Difference The switch is reset on decreasing pressure difference. MPa (kgf/cm ²) MIN. - MAX.	Proof Pressure MPa (kgf/cm ²)
SPDT	Z1/4DD	0.0005-6.6 (0.005-66)	0.0005 (0.005)	0.0005-0.025 (0.005-0.25)	10 (100)
DPDT	Z1/4DDW	0.0005-6.6 (0.005-66)	0.00075 (0.0075)	0.0005-0.025 (0.005-0.25)	10 (100)

- The sensitivity (dead band) is not adjustable.
- The sensitivity (dead band) indicates value at the middle of the range of adjustable difference. The sensitivity (dead band) becomes smaller than the indicated value within the lower range of adjustable difference, and larger within the higher range of adjustable difference.
- Only "C" contact micro switch is available.

Z1/4DD

Mass : approx. 4.7kg



Z1/4DDW

Mass : approx. 4.8kg

