

# Explosion-proof Pressure Switches (Diaphragm Actuator)

TEX-Z□□□DH



### Features

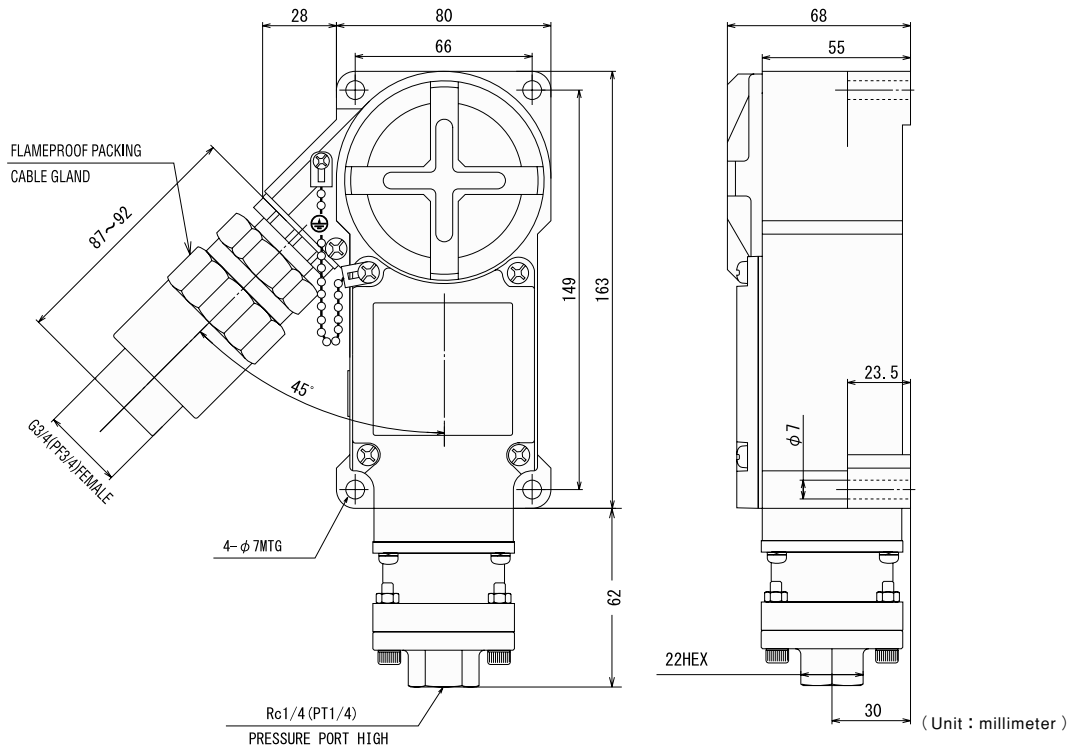
- The explosion-proof pressure switches adapt to small differential.
- The switches adapt up to the maximum range of 28MPa. The adjustable differential range is 0.004 to 1MPa.
- A SUS316L diaphragm is adopted as the pressure sensing element.
- The pressure switches can be used for various pressure medium such as air, water, oil, gases and steam.
- ExdIICT6 (explosion-proof class) approved.

Model	Range MIN. : Minimum setting point of falling pressure. MAX. : Maximum setting point of rising pressure. MPa (kgf/cm <sup>2</sup> ) MIN. - MAX.	Differential Add to the Range Value MPa (kgf/cm <sup>2</sup> )	Rated Pressure Maximum Pressure in Continuous Use MPa (kgf/cm <sup>2</sup> )	Proof Pressure MPa (kgf/cm <sup>2</sup> )
TEX-Z1.7DH	0.002-0.17 (0.02-1.7)	0.004 (0.04)	2.3 (23)	3.5 (35)
TEX-Z005DH	0.005-0.5 (0.05-5)	0.006 (0.06)	2.3 (23)	3.5 (35)
TEX-Z025DH	0.02-2.5 (0.2-25)	0.03 (0.3)	7 (70)	12 (120)
TEX-Z035DH	0.05-3.5 (0.5-35)	0.06 (0.6)	10 (100)	41 (410)
TEX-Z070DH	0.1-7 (1-70)	0.15 (1.5)	12 (120)	41 (410)
TEX-Z120DH	0.2-12 (2-120)	0.3 (3)	15 (150)	41 (410)
TEX-Z280DH	0.2-28 (2-280)	1 (10)	35 (350)	42 (420)

- The differential (dead band) is not adjustable.
- The differential (dead band) indicates value at the middle of the pressure range. The differential (dead band) becomes smaller than the indicated value within the lower range, and larger within the higher range.
- Only "C" contact micro switch is available.

TEX-Z1.7DH  
TEX-Z005DH  
TEX-Z025DH

Mass : approx. 2.1kg



TEX-Z035DH  
TEX-Z070DH  
TEX-Z120DH  
TEX-Z280DH

Mass : approx. 1.9kg

