

Explosion-proof Differential Pressure Switches (Diaphragm Actuator)

TEX-Z□□□DD/TEX-Z□□□DDEX



Features

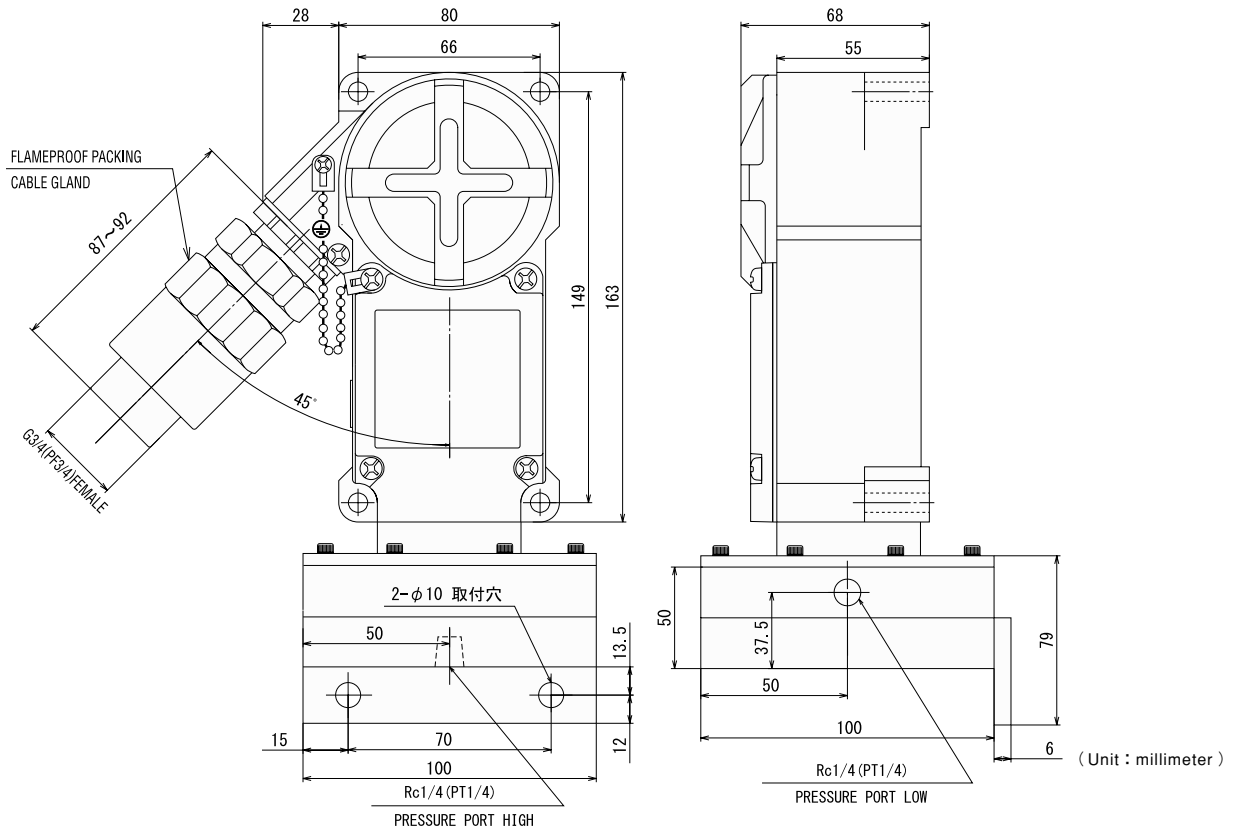
- This explosion-proof differential pressure switch especially specializes in extremely small differential pressure.
- The differential pressure switches conform to the differential setting range of 0.0005 to 3.5MPa.
- The switches adapt up to the maximum range of 21MPa.
- A polyimide diaphragm is adopted as a pressure sensing element.
- To realize the high proof pressure and the extremely small dead band at the same time, the stroke and clearance have been made smaller. (It is recommended to use an approx. 20μm filter for the both higher pressure side and lower side pressure side.)
- The differential pressure switches can be used for various pressure medium such as air, water, oil, gases and steam.
- ExdIICT6 (explosion-proof class) approved.

Model	Range MPa (kgf/cm ²) MIN. - MAX.	Sensitivity (Dead Band) The switch is activated on increasing pressure difference. MPa (kgf/cm ²)	Range of Adjustable Difference The switch is reset on decreasing pressure difference. MPa (kgf/cm ²) MIN. - MAX.	Proof Pressure MPa (kgf/cm ²)
TEX-Z1/4DD	0.0005-6.6 (0.005-66)	0.0006 (0.006)	0.0005-0.025 (0.005-0.25)	10 (100)
TEX-Z2.5DD	0.002-2 (0.02-20)	0.006 (0.06)	0.002-0.25 (0.02-2.5)	3.5 (35)
TEX-Z005DD	0.005-2 (0.05-20)	0.02 (0.2)	0.005-0.5 (0.05-5)	3.5 (35)
TEX-Z012DD	0.005-2 (0.05-20)	0.06 (0.6)	0.005-1.2 (0.05-12)	3.5 (35)
TEX-Z020DD	0.005-2 (0.05-20)	0.1 (1)	0.005-2 (0.05-20)	3.5 (35)
TEX-Z2.5DDEX	0.002-21 (0.02-210)	0.006 (0.06)	0.002-0.25 (0.02-2.5)	35 (350)
TEX-Z005DDEX	0.005-21 (0.05-210)	0.02 (0.2)	0.005-0.5 (0.05-5)	35 (350)
TEX-Z012DDEX	0.005-21 (0.05-210)	0.06 (0.6)	0.005-1.2 (0.05-12)	35 (350)
TEX-Z035DDEX	0.005-21 (0.05-210)	0.1 (1)	0.005-3.5 (0.05-35)	35 (350)

- The sensitivity (dead band) is not adjustable.
- The sensitivity (dead band) indicates value at the middle of the range of adjusting difference. The sensitivity (dead band) becomes smaller than the indicated value within the lower range of adjusting difference, and larger within the higher range of adjusting difference.
- Only “C” contact micro switch is available.

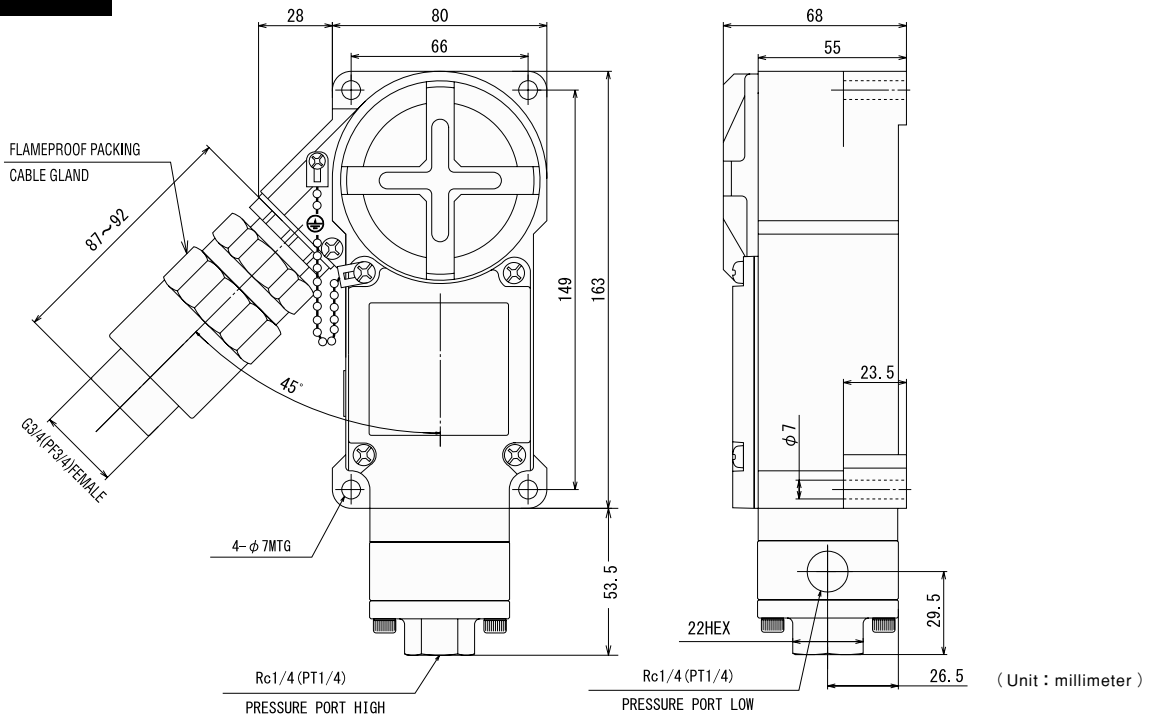
TEX-Z1/4DD

Mass : approx. 6.0kg



TEX-Z2.5DD TEX-Z005DD TEX-Z012DD TEX-Z020DD

Mass : approx. 2.1kg



TEX-Z2.5DDEX
TEX-Z005DDEX
TEX-Z012DDEX
TEX-Z035DDEX

Mass : approx. 2.5kg

